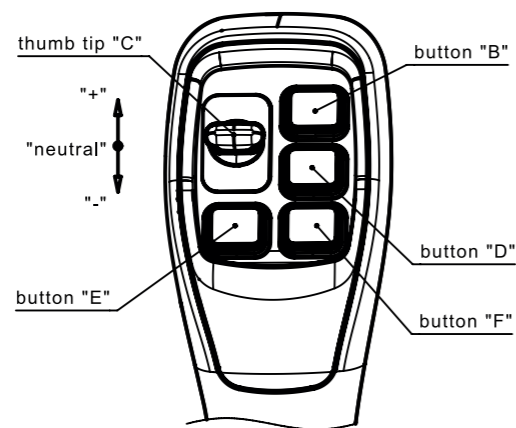
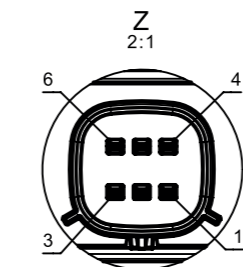
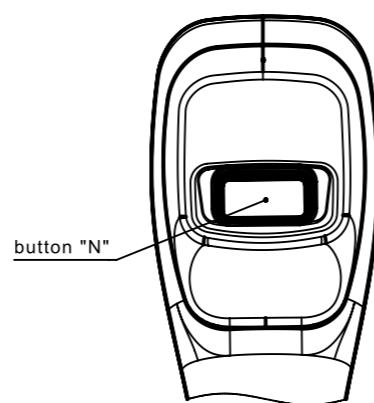


A
operating area A

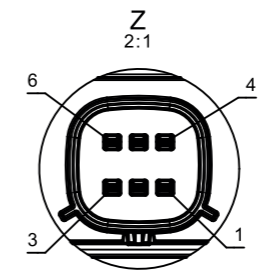
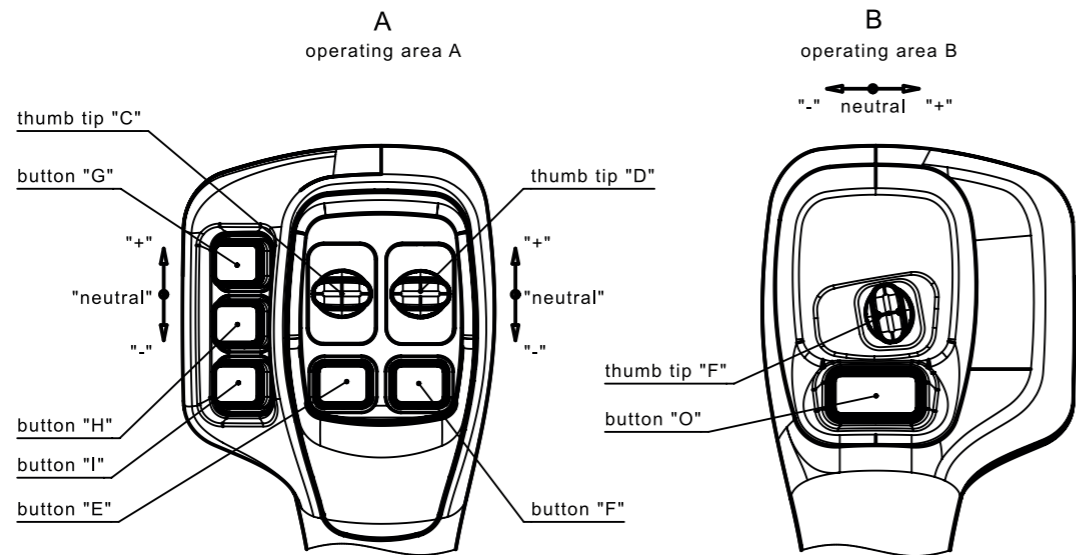
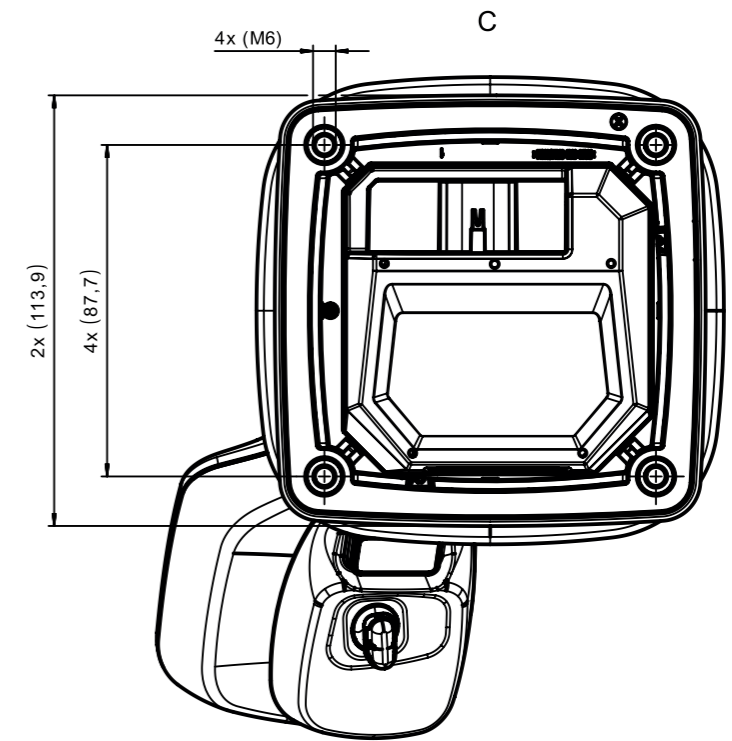
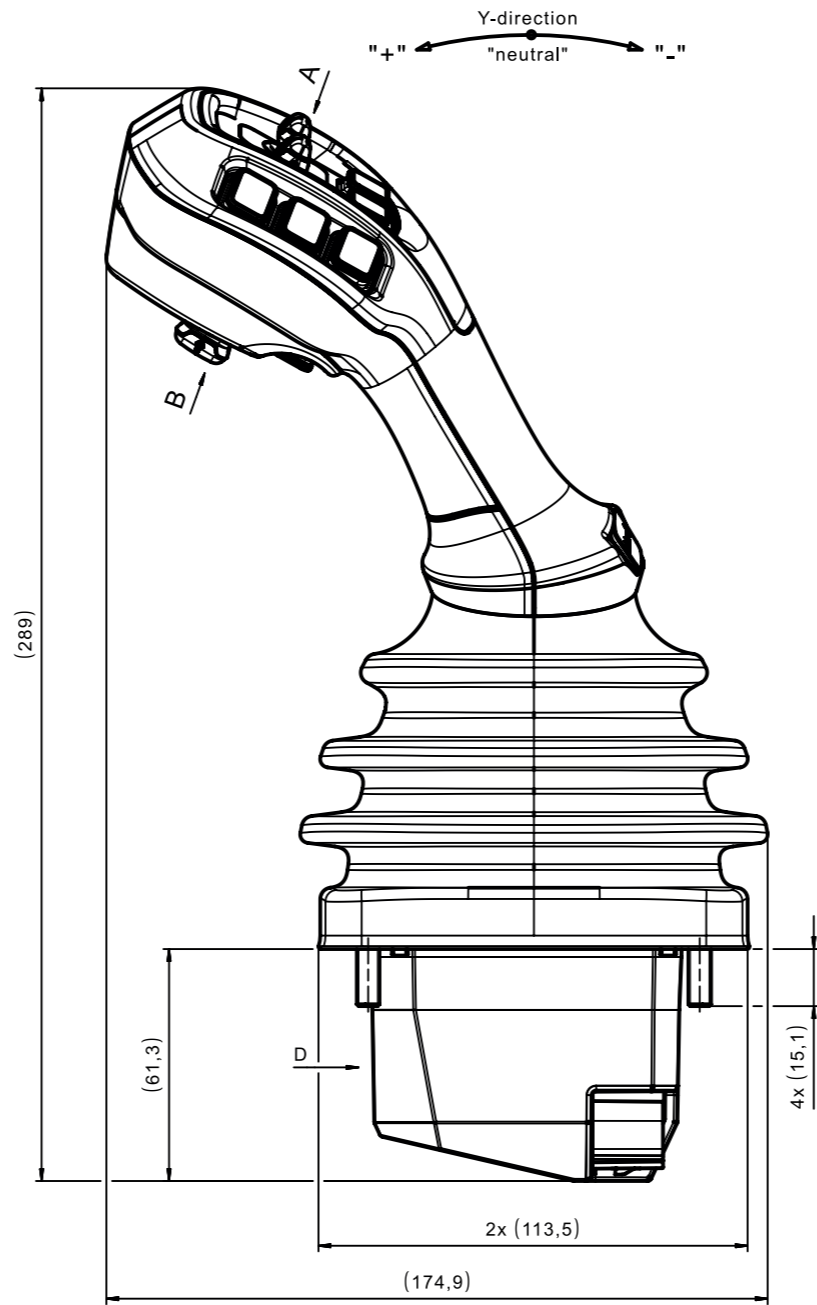
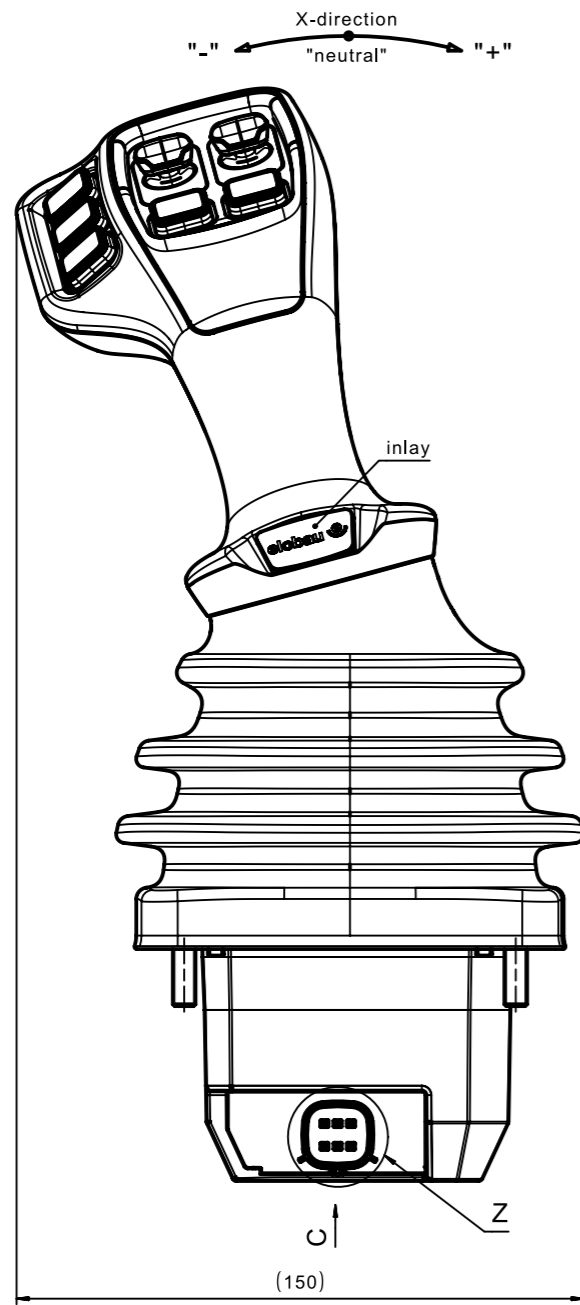


B
operating area B



Molex MX150 connector

PIN	function
1	GND
2	UB button "B"
3	CAN-L
4	UB
5	button "B"
6	CAN-H



Molex MX150 connector

PIN	function
1	GND
2	-
3	CAN-L
4	UB
5	-
6	CAN-H